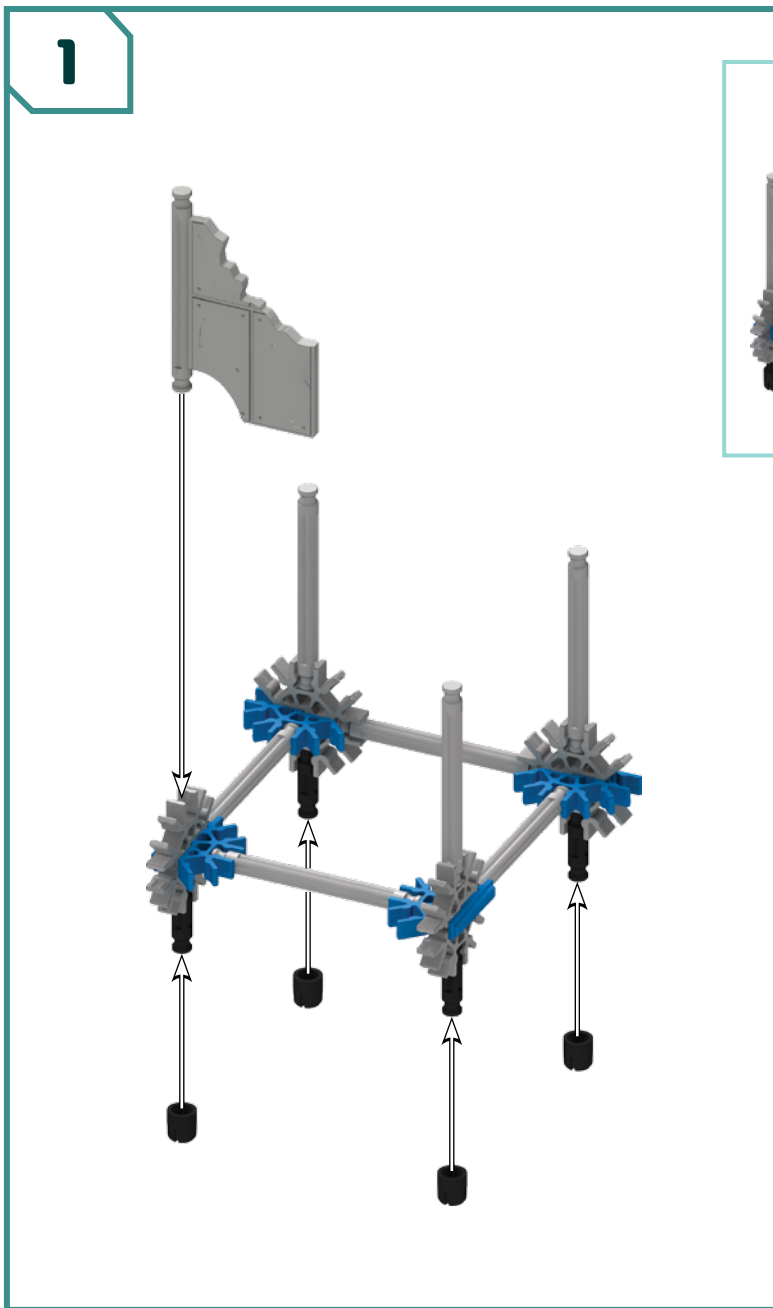
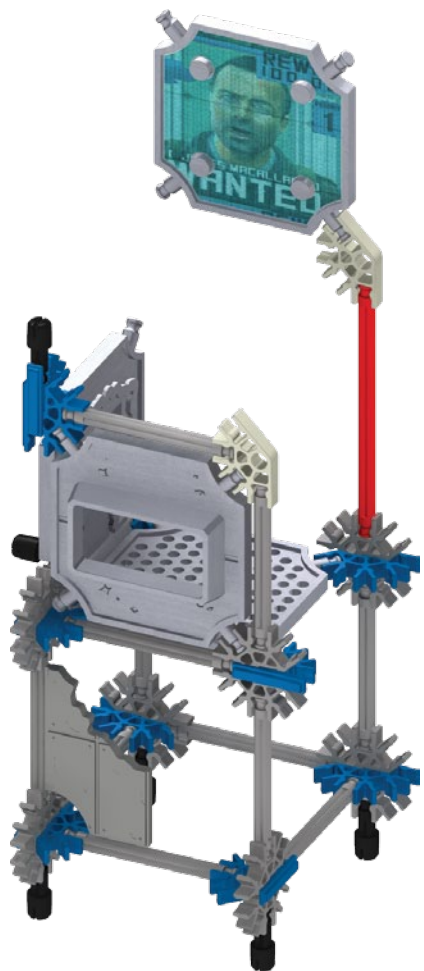


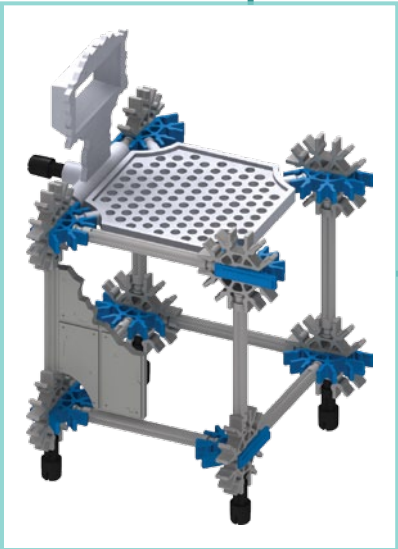
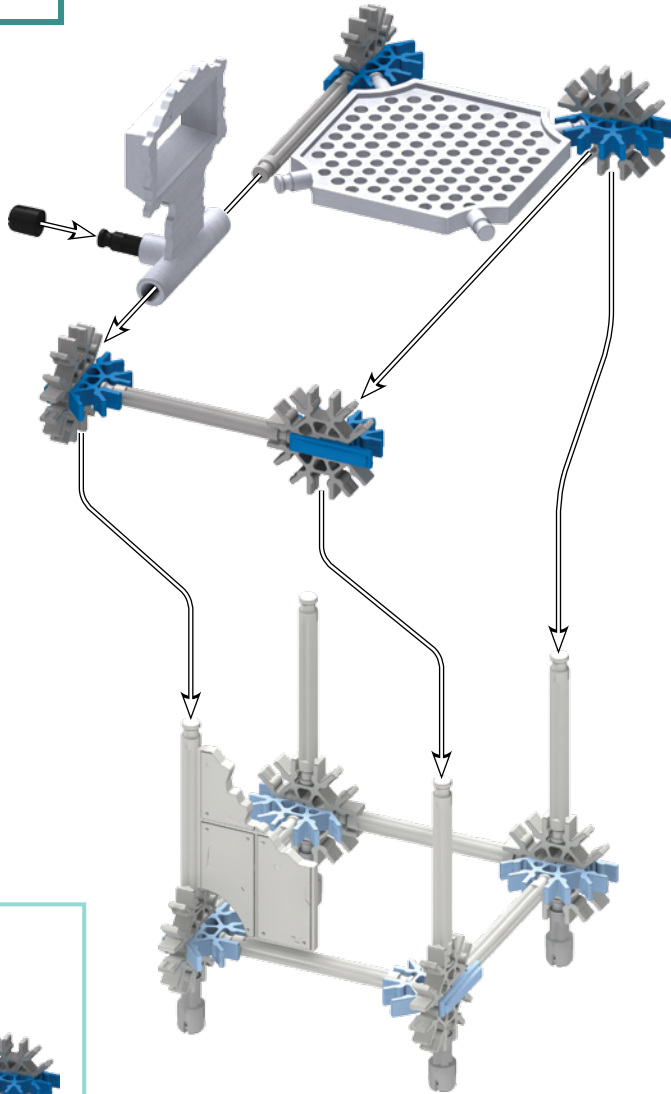
69497 + 69498 = Combo Build



Building #1

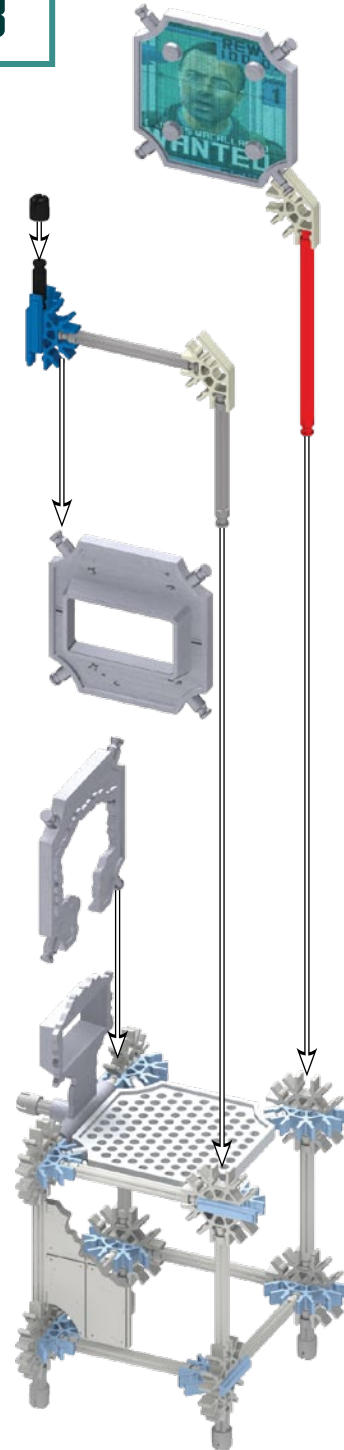


2

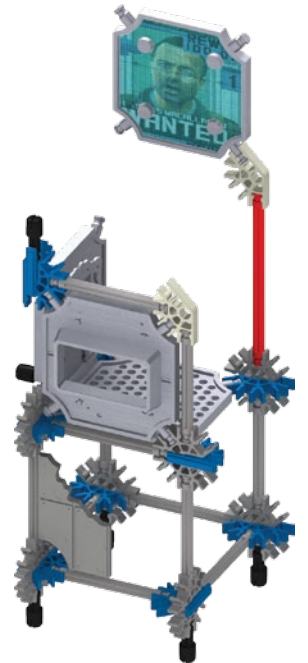


3

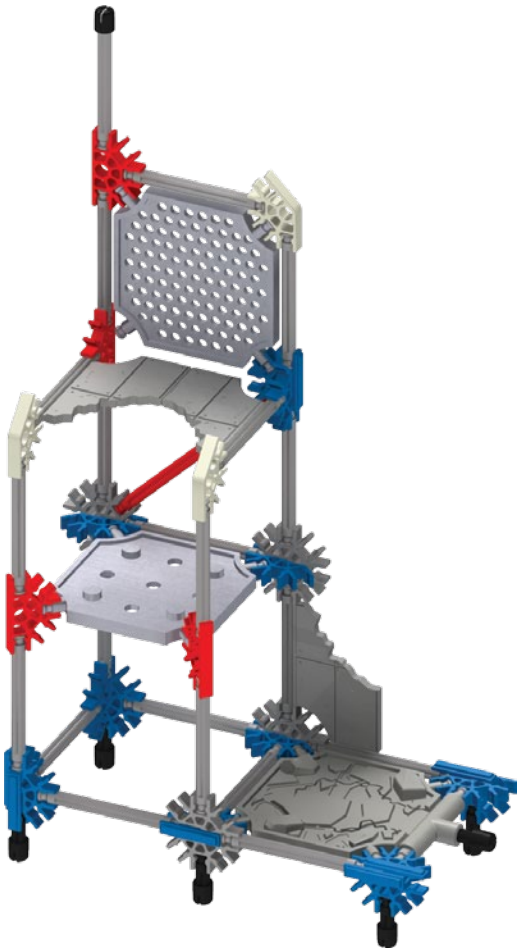
3



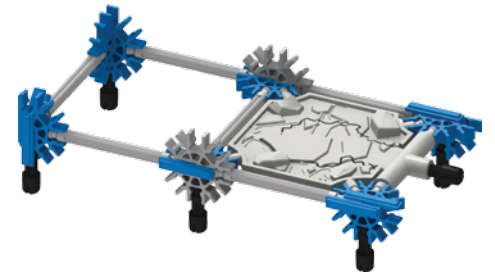
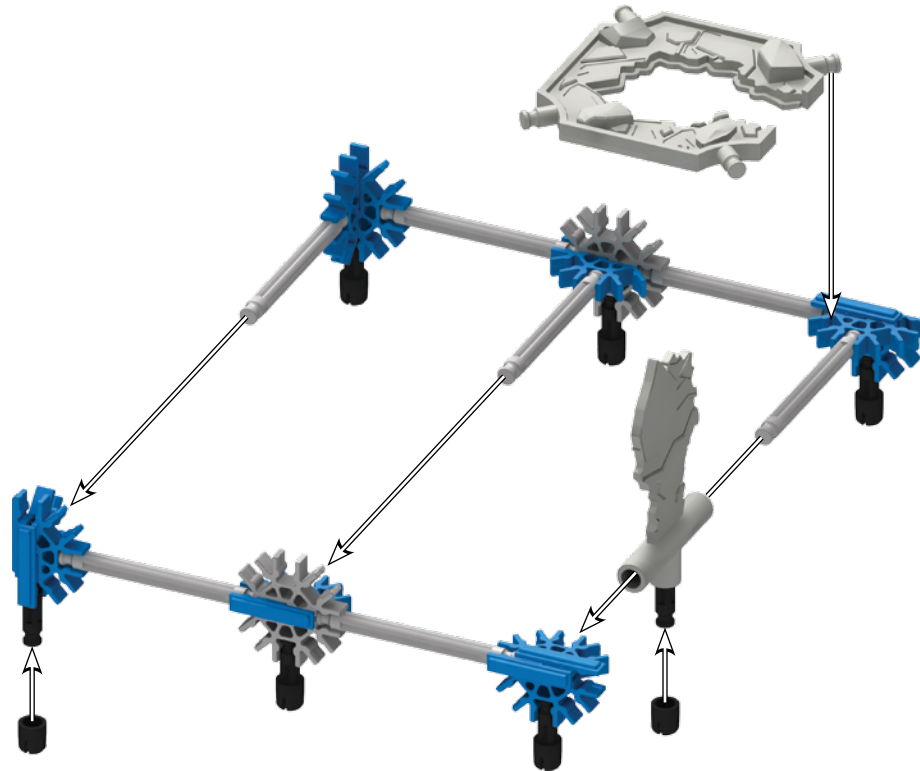
Building #1



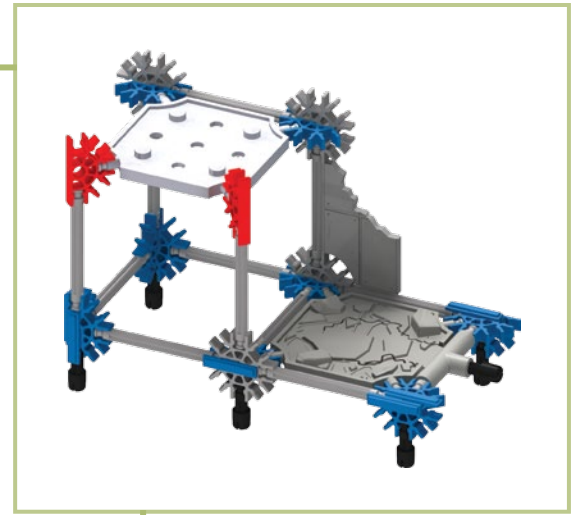
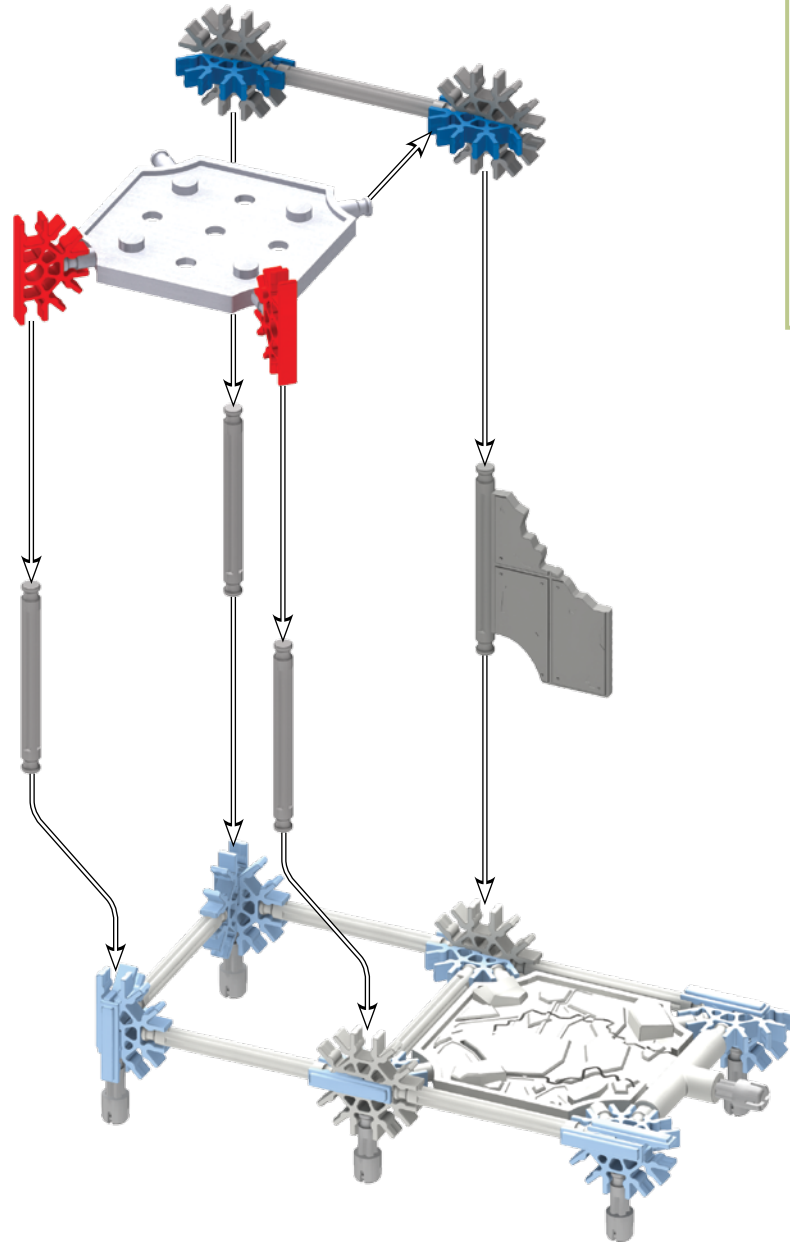
Building #2



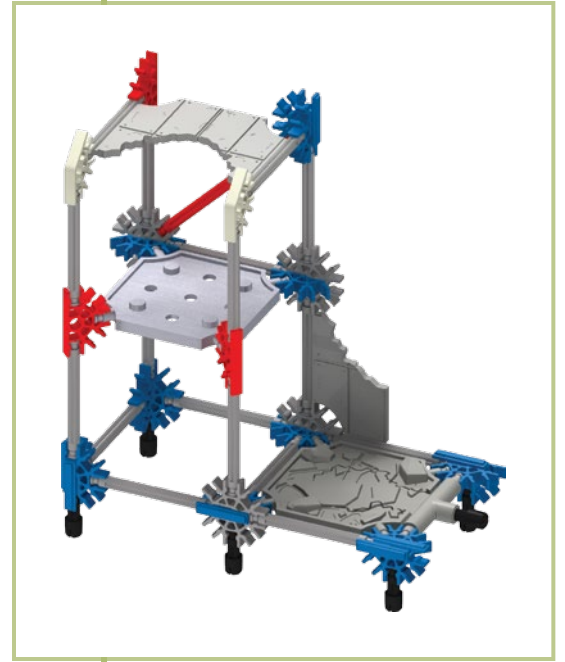
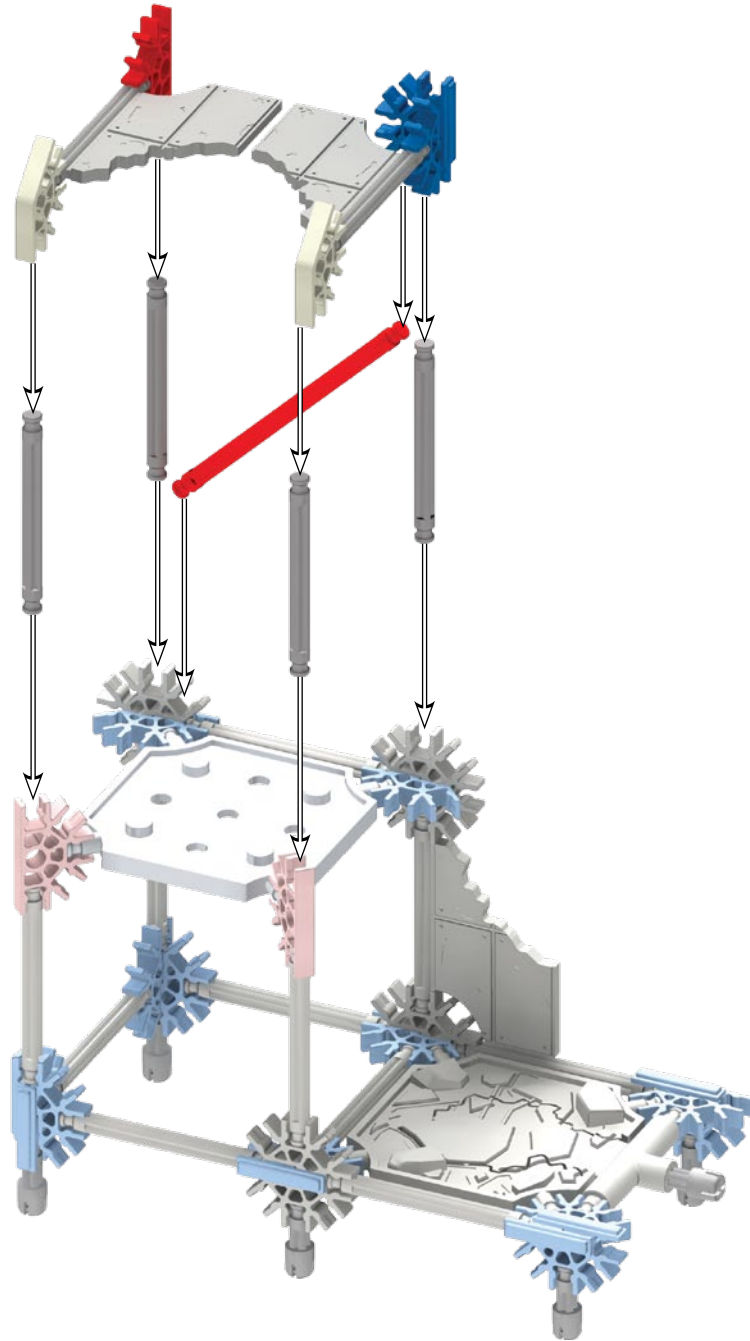
1



2

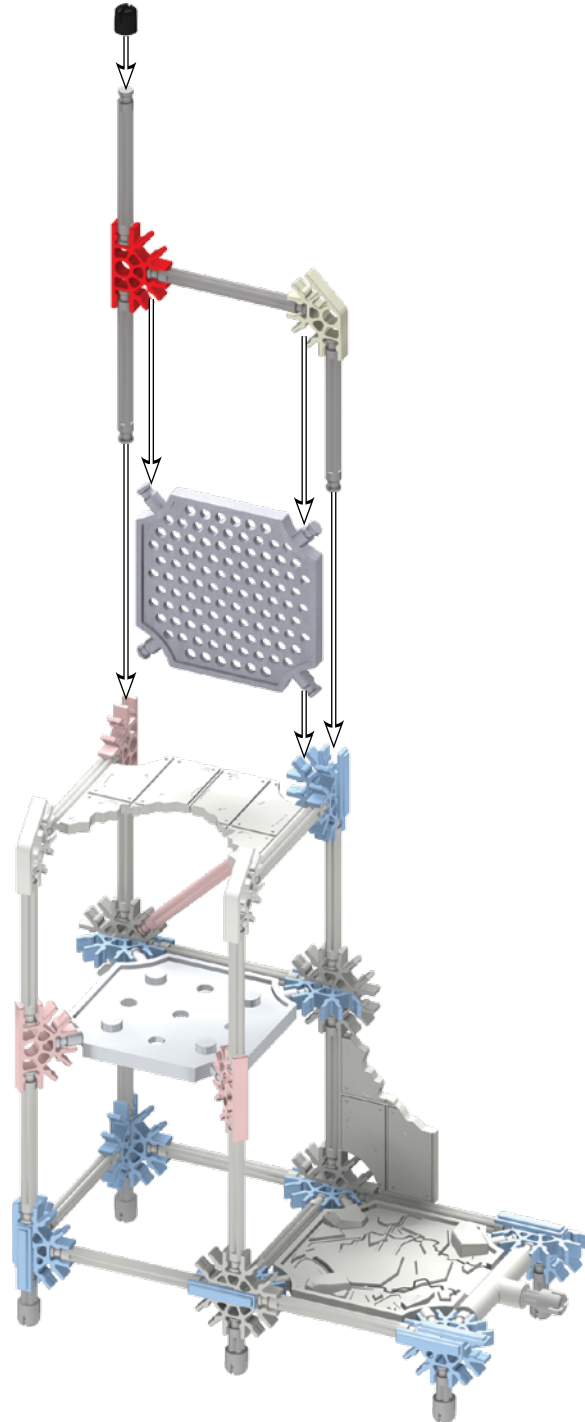


3

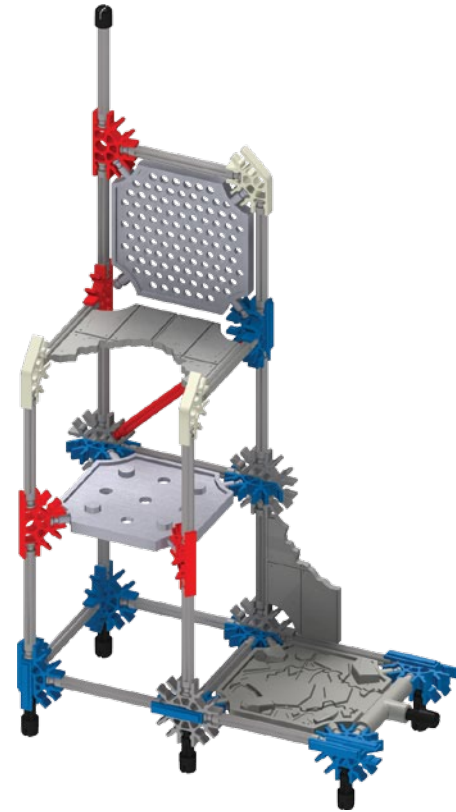


6

4



Building #2



Figures & Accessories



Completed Combo Build

